

KONECRANES NOELL SPREADERS FOR KONECRANES NOELL SPRINTER AND STRADDLE CARRIERS
PERFECTLY INTEGRATED



KONECRANES NOELL SPRINTER AND STRADDLE CARRIERS PLUS KONECRANES NOELL SPREADERS FROM A SINGLE SOURCE

Konecranes is a leading supplier of cargo handling solutions for ports, terminals and industry. Many years of experience in development and manufacture of Konecranes Noell Sprinter and Straddle Carriers also make us the first port of call for spreaders to go along with them.

EFFICIENT TEAM

Having just the right spreader makes all the difference for your Konecranes Noell Sprinter and Straddle Carriers. You can benefit from our in-house technology as we can also supply you with an integrated solution for key components. We know our spreaders and vehicles inside-out, the two are simply perfectly matched. The result: an efficient team that, in any condition of harsh continuous use, provides productivity in your container terminal.

CLEAR CONCEPT AND RELIABLE DESIGN

Konecranes Noell Spreaders provide high reliability thanks to their clear-cut steelwork with a minimum of welds. They also use durable components. The fact that no lubricants are required makes the equipment extremely eco-friendly. And a good portion of intelligence in the form of integration in the vehicle control via CAN bus and state-of-the-art sensors also enhances dependability.

EASY SERVICING

Our spreaders impress by virtue of their service-friendliness. We achieve this with:

- telescopic arms with maintenance-free slide guides,
- twistlocks in patented cartridge system for quick change,
- maintenance points with easy access.

Because the telescopic arms are equipped with our patented hydraulic clamping rather than a mechanical locking device, damage is limited in the event of collisions

ALWAYS THE RIGHT CHOICE

Whether 20' or 40' containers, single-lift or twin-lift, we have the right spreader for your requirements:

- Konecranes Noell N ES 42 F Single-Lift Spreader
- Konecranes Noell N TS 62 F Twin-Lift Spreader

BENEFIT FROM KONECRANES NOELL SPREADERS

- **Reliable:** rugged steelwork and durable components
- **Safe:** locking system and monitor
- **Service friendly:** ease of access and maintenance
- **Eco-friendly:** maintenance-free slide guides and low-noise operation
- **Intelligent:** CAN bus integration and state-of-the-art sensors
- **Efficient:** precise motions through proportional valve technology
- **Innovative:** patented hydraulic telescopic locking

Fleet of Konecranes Noell N SC 644 E Straddle Carriers equipped with Konecranes Noell N ES 42 F Single-Lift Spreaders handling container



KONECRANES NOELL N ES 42 F SINGLE-LIFT SPREADER

SIMPLY PRACTICAL

Konecranes Noell N ES 42 F is a telescopic single-lift spreader with a maximum lifting capacity of 40 t. The spreader is designed for fast and safe handling of 20' to 40' containers.

SAFE, INTELLIGENT AND QUIET

The spreader functions are controlled by the integrated CAN bus. As a result, the number of interfaces are reduced, the entire system is simpler, more robust and safe.

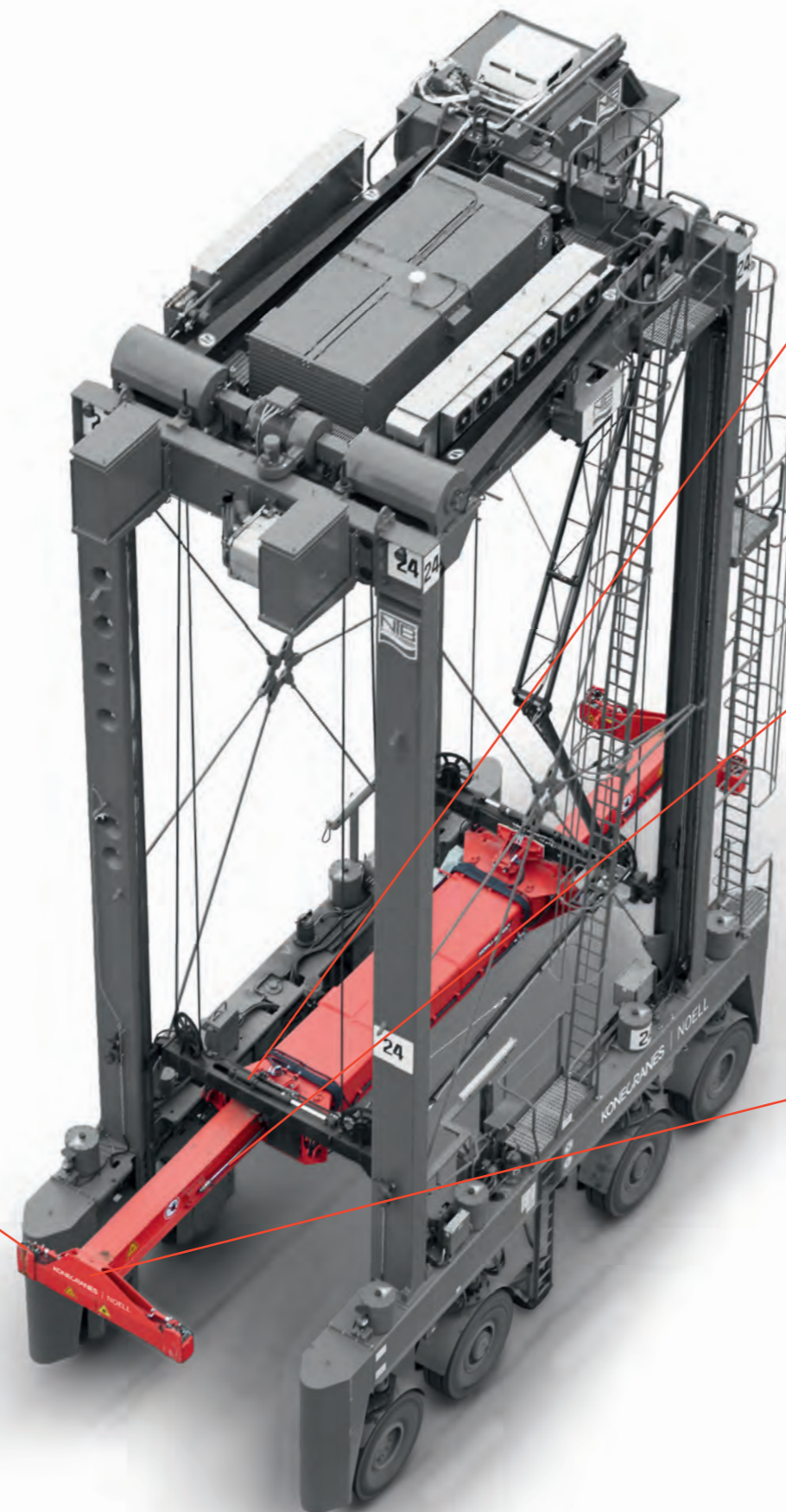
OPTIONS

For precise and fast handling we use state-of-the-art laser technology with intelligent sensors. This helps the driver to work productively.

The sensors benefit the environment: soft landing and automatic set-down functions mean that the spreaders are quiet. An important criterion, and not only for operators of container terminals near residential areas.

TWISTLOCK SYSTEM

- Vertically suspended, floating ISO twistlocks, hardened
- Patented twistlock mounting and locking
- Individually activated by hydraulic cylinders
- Easily accessible cartridge system for quick change
- Mechanical locking system and individual, electric locking monitor



SIDE SHIFT

- By means of two independently adjustable hydraulic cylinders on the yoke beam
- +/- 300 mm lift provides for:
 - parallel transverse shifting to pick up laterally displaced containers
 - +/- 6° rotation to pick up inclining containers



TELESCOPING

- Hydraulic cylinders in the protected interior of the base body
- Centric application of force: no lateral forces exerted on the telescope as a result
- Telescopic arms move on dry, maintenance-free sliding pads: eco-friendly, since no lubricant required
- The spreader approaches positions (20', 30' and 40') automatically and is hydraulically clamped (patented solution)



ASSISTANCE SYSTEMS

Are based on distance measurement with laser sensors.

- Soft landing function
- Option: auto-positioning (automatic set-down function)



KONECRANES NOELL N TS 62 F TWIN-LIFT SPREADER

TWICE AS FLEXIBLE

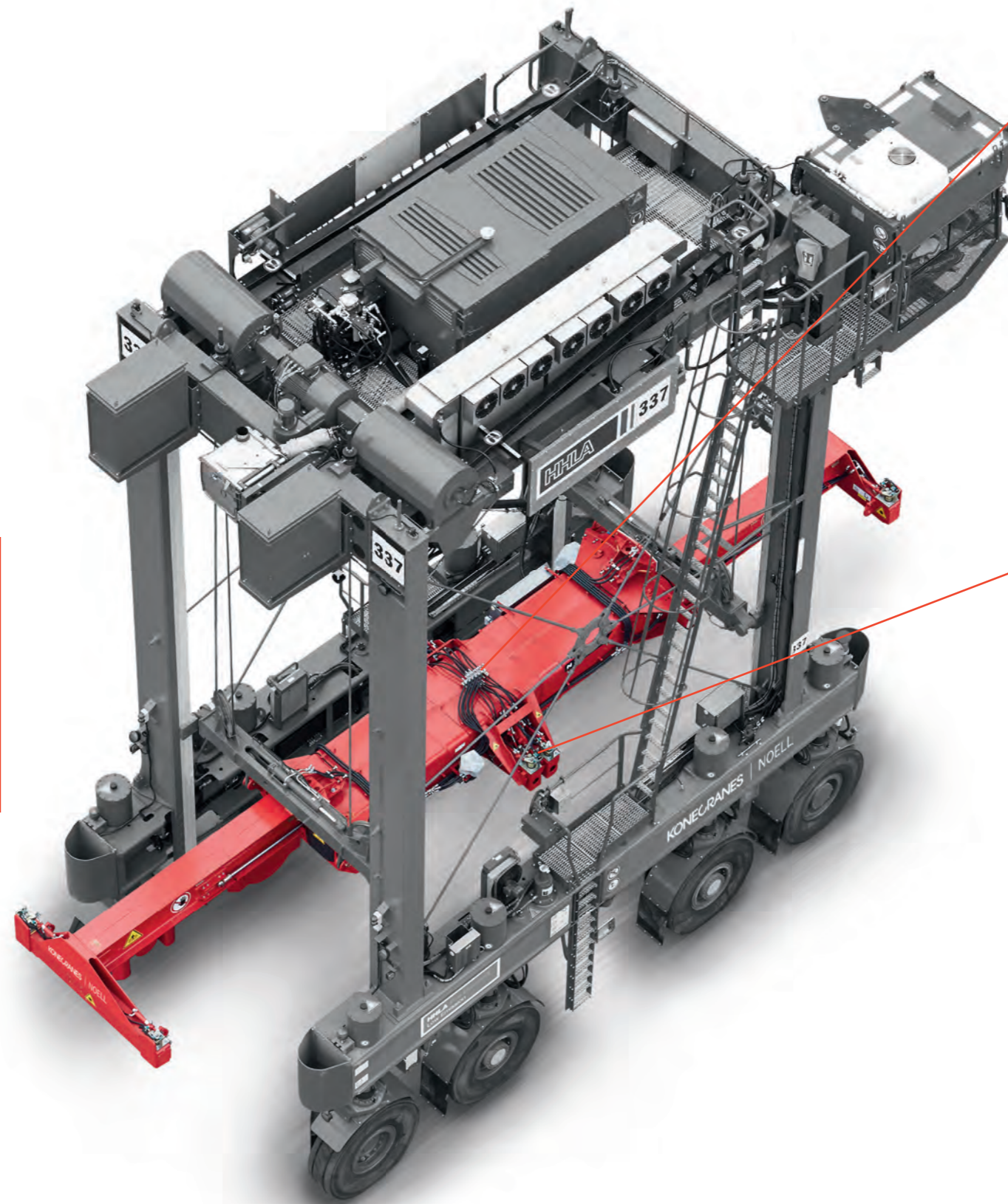
The Konecranes Noell N TS 62 F is an extremely flexible telescopic twin-lift spreader with a maximum lifting capacity of 60 t.

For the twin-lift function, it has two additional twin units enabling it to safely pick up:

- individual 20' to 40' containers as well as
- two 20' containers at the same time.

ON ONE PLATFORM

Our N TS 62 F twin-lift spreader and our N ES 42 F single-lift spreader boast the same design characteristics. This means: you have the choice – and your service team can work efficiently because if you are familiar with one, you know how to work with the other. The result: faster maintenance work and higher availability.



CLEAR DESIGN PRINCIPLE

- Clear and safe arrangement of all hydraulic lines
- Switchbox:
 - is made from stainless steel
 - in easily accessible position



TWIN UNITS FOR TWIN-LIFT OPERATION

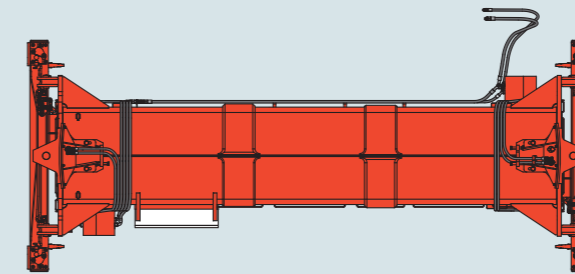
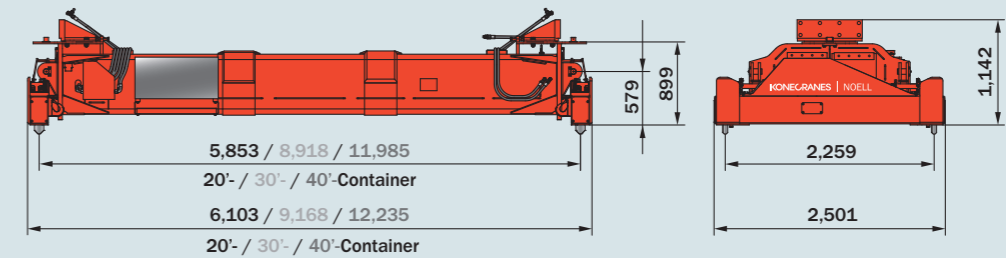
- Vertically suspended, floating ISO twistlocks, hardened
- Mechanical locking system and individual, electric locking monitor
- Patented cartridge system for quick change
- Individually activated by hydraulic cylinders
- Twin units are raised for single-lift operation by means of hydraulic cylinders



KONECRANES NOELL SINGLE-LIFT AND TWIN-LIFT SPREADERS

TECHNICAL DATA

Model		N ES 42 F	N TS 62 F
Weight			
Total weight without additional equipment	[t]	7.3	8.2
Lifting capacity (SWL)			
Maximum load	[t]	40	50
Special load	[t]	-	60
Lifting lugs	[t]	4 x 10	
Telescoping			
Positions	[ft]	20 / 30 / 40	20 / 30 / 40
Position at twin-lift	[ft]	-	2 x 20
20' to 40'	[s]	≤ 20	
40' to 20'	[s]	≤ 20	
Locking			
Number and type of twistlocks		4, ISO floating	8, ISO floating
Diameter of stylus	[mm]	20	
Side shift			
Lift	[mm]	+/- 300	
Rotation	[°]	+/- 6	
Hydraulics			
Operating pressure	[bar]	200	
Electrics			
Control of spreader functions		CAN bus	
Control voltage	[V]	24	

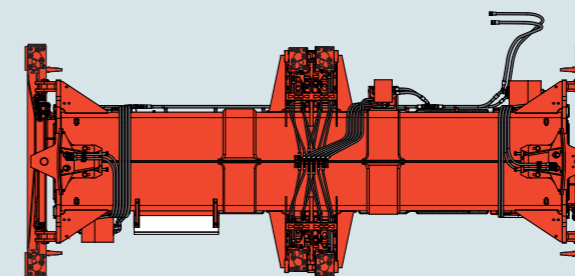
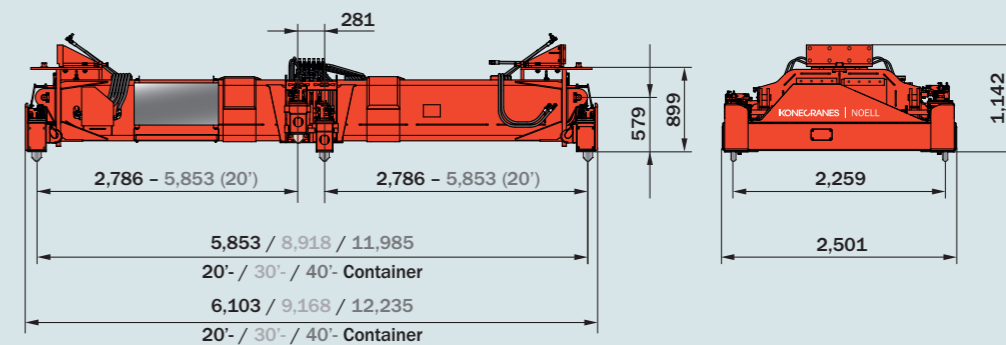


N ES 42 F

Spreader | Fixed Hydraulic clamping

E = Single-lift

Lifting capacity
4 = 40 t



N TS 62 F

Spreader | Fixed Hydraulic clamping

T = Twin-lift

Lifting capacity
6 = 60 t

Efficient and reliable team:
Konecranes Noell N SC 644 E Straddle Carrier and
Konecranes Noell N ES 42 F Single-Lift Spreader



THANKS TO LONG SERVICE INTERVALS AND SHORT WAITING TIMES HIGH AVAILABILITY

Together with the Konecranes Noell Straddle Carrier, the Konecranes Noell Spreader forms an efficient and reliable team. One that, even when faced with the greatest challenges, has less downtime – and thus reduces the work time of your service team.


The robust, durable design of our spreaders with first-class components helps to provide long service intervals. If maintenance work is needed, excellent access to all mechanical, hydraulic and electrical components makes life easy for your technicians.

This means: the spreader is quickly back in operation again – and provides high overall availability.





Konecranes is a world-leading group of Lifting Businesses™, serving a broad range of customers, including manufacturing and process industries, shipyards, ports and terminals. Konecranes provides productivity enhancing lifting solutions as well as services for lifting equipment of all makes. The Group has 18,000 employees at 600 locations in 50 countries. Konecranes is listed on Nasdaq Helsinki (symbol: KCR).

© 2017 Konecranes. All rights reserved. 'Konecranes', 'Lifting Businesses' and  are either registered trademarks or trademarks of Konecranes.

